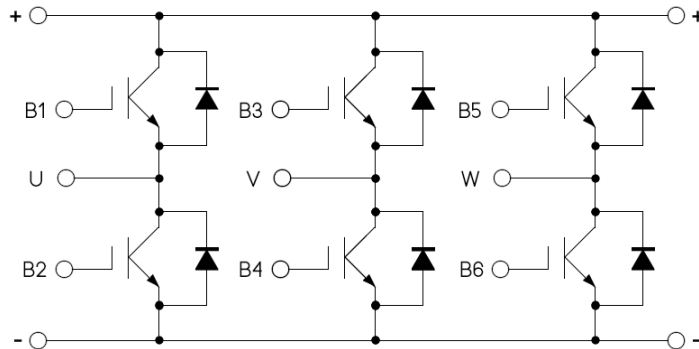




## Electrical Characteristics

$V_{CES}$	$V_{GES}$	$I_C$ Cont.	$P_C$	$V_{CE}$ (sat) Max.	$(V_{GE}=15V) I_C$	Switching Time (Max.) ( $\mu$ sec)		
Volts	Volts	Amps.	Watts	Volts	Amps	$t_{on}$	$t_{off}$	$t_r$
600	$\pm 20$	100	360	2.5	100	---	1.5	1.0

## Equivalent Circuit



Tel. 1-973-377-9566, Fax. 1-973-377-3078

133 Kings Road,  
Madison, New Jersey 07940  
United States of America

© 2013 American Microsemiconductor, Inc.  
Specifications are subject to change without notice.

[www.americanmicrosemi.com](http://www.americanmicrosemi.com)

Document Page 2 of 2  
Revised 06/2013

Aerospace Mgmt. Sys. Cert.  
AS/EN/JISQ9100:2009 Rev. C  
ISO9001:2008  
Cert No. 45325

