



Transmit



Receive



Decode



Control

Built-In Transmitter RTS03

BaseWave

The RTS03 is battery powered. It is possible to transmit four different static radio signals and to use four different functions.

It can be operated either via a push-button or a switch.

Due to its compact dimensions the RTS03 can change conventional light switches into radio controlled ones.



RTS03-XX04M-01

Technical Details

| | |
|-----------------------|--|
| Coding | factory coding with over 70 million options |
| Channels | 4 |
| Range | up to 150 m under favourable open field conditions |
| Power Supply | 1x 3V battery, CR2032 |
| Degree of Protection | IP20 |
| Operating Temperature | -20 °C to +60 °C |
| Dimensions | 30 x 37 x 10 mm (case) |

Scope of Delivery

- Built-In Transmitter incl. battery
- Operating Manual
- Battery

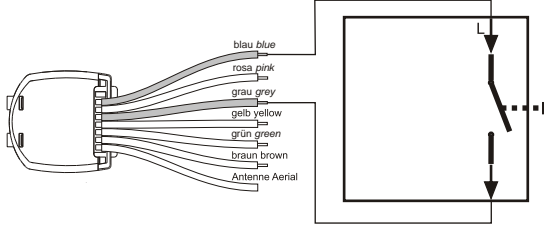
Accessories (optional)

- Battery

Models

| Product Key | Description | Frequency |
|----------------|----------------------|------------|
| on request | Built-in Transmitter | 315.00 MHz |
| RTS03-4104M-01 | Built-in Transmitter | 433.92 MHz |
| RTS03-5004M-01 | Built-in Transmitter | 868.30 MHz |
| on request | Built-in Transmitter | 916.50 MHz |
| ACC-BAT-05 | Battery CR2032 | |

Connection Diagram

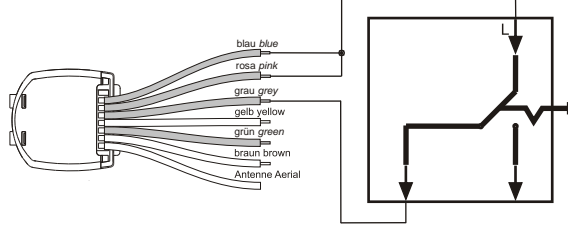


Connect the blue cable (ground) to the push-button as follows:

- transmission-code A: grey cable (Input1)
- transmission-code B: yellow cable (Input 2)
- transmission-code C: green cable (Input 3)
- transmission-code D: brown cable (Input 4)

Transmission lasts as long as the button is pressed but max. 10 seconds.

connection push-button

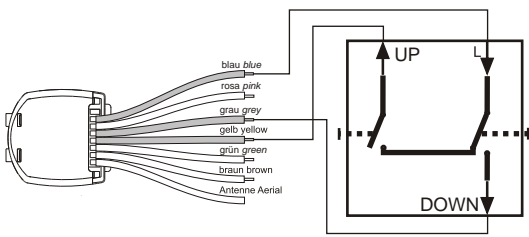


Connect the blue cable (ground) and the pink cable (operation) to the switches as follows:

- switch 1: grey cable (Input 1)
- transmission-code A: close switch
- transmission-code B: open switch
- switch 2: green cable (Input 3)
- transmission-code C: close switch
- transmission-code D: open switch

notice: input 2 (yellow) and 4 (brown) are not connected

connection switch



Connect the blue cable (ground) to the push-button as follows:

- transmission-code A: grey cable (Input1)
- transmission-code B: yellow cable (Input 2)
- transmission-code C: green cable (Input 3)
- transmission-code D: brown cable (Input 4)

Transmission lasts as long as the button is pressed but max. 10 seconds.

connection shutter control